

HED2PER3

TDN 1080p IR Ball Camera



HD







| OPERATIONAL | |
|--------------------------|--|
| VIDEO STANDARD | NTSC/PAL |
| SCANNING SYSTEM | Progressive scan |
| IMAGE SENSOR | 1/3" 2 MP CMOS |
| NUMBER OF PIXELS (H × V) | 1920 × 1080 |
| MINIMUM ILLUMINATION | 0.08 lux color @ F2.0 (Color, 1/3s, 30 IRE), 0 lux B/W with IR LEDs on @ F2.0 |
| S/N RATIO | > 45 dB |
| ELECTRONIC SHUTTER SPEED | 1/3(4) – 1/100,000 s |
| IR DISTANCE | Up to 82 ft (25 m), depending on scene reflectance |
| SMART IR | Auto/Manual |
| DAY/NIGHT | Auto (ICR)/Color/BW |
| BACKLIGHT COMPENSATION | BLC/HLC/DWDR |
| WHITE BALANCE | Auto/Natural/Street Lamp/Outdoor/Manual |
| GAIN CONTROL | Auto/Manual |
| NOISE REDUCTION | 3D DNR |
| PRIVACY MASKING | Up to 4 configurable zones |
| MOTION DETECTION | Up to 4 configurable zones |
| REGION OF INTEREST | Up to 4 configurable zones |
| DIGITAL ZOOM | 16x |
| LENS | 2.8 mm, fixed, F2.0 |
| ANGLE OF VIEW | 110°/83° (H), 56°/44° (V) |
| VIDEO | |
| VIDEO COMPRESSION | H.265+/H.265/H.264+/H.264 |
| RESOLUTION | 1080p (1920×1080), SXGA (1280×1024), 1.3 MP (1280×960), 720p (1280×720), D1 (704×576/704×480), VGA (640×480), CIF (352×288/352×240) |
| FRAME RATE | 2 MP at 1 – 25/30fps D1/CIF at 1 – 25/30fps |
| BIT RATE CONTROL | CBR/VBR |
| BIT RATE | H.265: 12K – 6400 Kbps H.264: 32K – 10240 Kbps |
| NETWORK | |
| ETHERNET | RJ-45 (10/100BASE-T) |
| SUPPORTED WEB BROWSERS | Internet Explorer (11.0+) |
| SUPPORTED OS | Windows 7 32-bit |

| NETWORK (CONT'D) | |
|-----------------------|---|
| PROTOCOLS | IPv4/v6, TCP/IP, UDP, RTP, RTSP, RTCP, HTTP, HTTPS, SSL, FTP, SMTP, DHCP, PPPoE, UPnP, SNMP v2/v3, Bonjour, DNS, DDNS, IEEE 802.1X, QoS, NTP |
| INTEROPERABILITY | ONVIF Profile S |
| MAXIMUM USER ACCESS | 20 users |
| SECURITY | User account and password protection, HTTPS, IP filter, IEEE 802.1X, digest authentication, user access log, TLS1.2, AES-256, SSH/Telnet closed, FTP disabled |
| EVENT | Network disconnection, IP address conflict, illegal access, video tampering, motion detection |
| EVENT NOTIFICATION | Record (NAS and FTP), email, snapshot |
| ELECTRICAL | |
| POWER SUPPLY | PoE (802.3af) Class 0, 12 VDC |
| POWER CONSUMPTION | 4.12 W max. (IR LEDs on) |
| MECHANICAL | |
| DIMENSIONS | 3.68" × 3.14" (93.4 mm × 79.7 mm) |
| PRODUCT WEIGHT | 0.51 lb (0.23 kg) |
| PACKAGE WEIGHT | 0.85 lb (0.38 kg) |
| CONSTRUCTION | Die-cast aluminum housing with powder coat |
| CONSTRUCTION COLOR | RAL 9003 (White) |
| ENVIRONMENTAL | |
| OPERATING TEMPERATURE | –22°F to 131°F (–30°C to 55°C) |
| STORAGE TEMPERATURE | –22°F to 131°F (–30°C to 55°C) |
| RELATIVE HUMIDITY | Less than 95%, non-condensing |
| INGRESS PROTECTION | IP66 |
| REGULATORY | |
| EMISSIONS | FCC Part 15B, EN 55032 |
| IMMUNITY | EN 50130-4 |
| SAFETY | EU: EN 60950-1 North America UL listed to UL/CSA 60950-1 |
| ROHS | EN 50581 |

TDN 1080p IR Ball Camera

RECOMMENDED ACCESSORIES

| SYSTEM COMPATIBILITY | | MOUNTS AND ACCESSORIES | |
|----------------------|--|------------------------|--|
| HEN*4 | 8/16/32/64-channel Focus 4K NVRs (H.264/H.265) | HQA-WK2 |  Wall Mount |
| HEN*2 | 4/8/16-channel Performance Series NVRs (H.264) | HQA-PM2** |  Pole Mount Bracket |
| | | HB34S2-CM** |  Corner Mount Bracket |
| | | HQA-BB1 |  Junction Box |

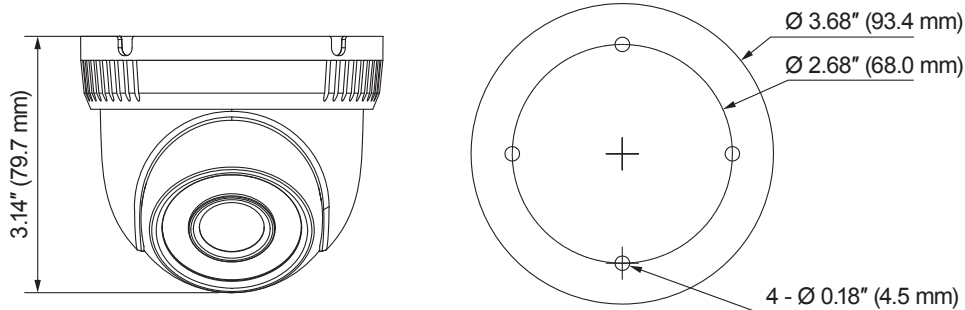
* Pre-installed storage (TB).

** The HQA-BB1 junction box must be used when installing the camera to HQA-PM2 or HB34S2-CM.

ORDERING

| | |
|----------|--|
| HED2PER3 | Network TDN 1080p IR Ball Camera, 1/3" CMOS, 2.8 mm Fixed, 12 IR LEDs, PoE, H.265+ |
|----------|--|

DIMENSIONS



For more information

www.honeywell.com/security

Honeywell Commercial Security

715 Peachtree St. NE
Atlanta, GA 30308
1.800.323.4576
www.honeywell.com

Honeywell reserves the right, without notification, to make changes in product design or specifications.

HSV-HED2PER3-03-US(0919)DS-Z
© 2019 Honeywell International Inc.

Honeywell